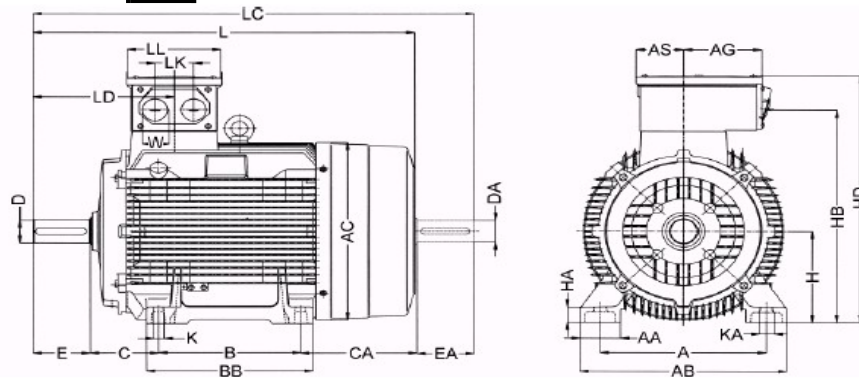


DIMENSION & DATA SHEET

Please specify as much as you can but do not worry if some is missing we can work it out.

Please hover over the comments for usefull information.

FOOT MOTOR IMB3



Location of junction box seen from drive end								Left		Right		Top		
	H	D	E	A	B	L	C	AC	EA	DA	CA	LC	AA	KA
mm														

FLANGE MOTOR

IMB5

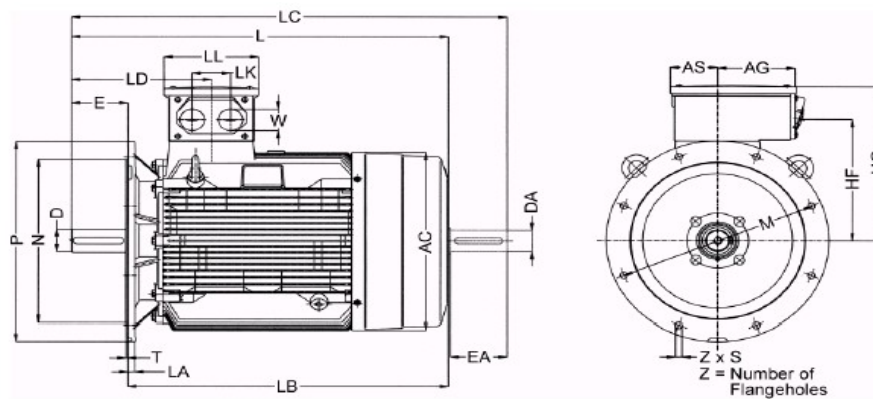


IMB14



FOOT & FLANGE MOTOR

IMB3/B5



	P	M	N	D	E	S	Z	L	EA	DA	LC	LB	HG	AC
mm														

Maker	
Serial - No.	
Powerrate kW	
Voltage V (delta)	
Rated current A (delta)	
Frequency Hz	
Kind of protection IP	
Bearing Side A	

Duty rating	
Type of plant	
Revolution per min.	
Voltage V (Star)	
Rated current A (Star)	
Class of insulation	
Type of construction	
Bearing Side B	

Please mark with a cross:					
Brake	Yes	<input type="checkbox"/>	No	<input type="checkbox"/>	Voltage
PTC - thermistors	Yes	<input type="checkbox"/>	No	<input type="checkbox"/>	
Heater	Yes	<input type="checkbox"/>	No	<input type="checkbox"/>	
with self ventilation	<input type="checkbox"/>		without self ventilation	<input type="checkbox"/>	
terminal box	Yes	<input type="checkbox"/>	No	<input type="checkbox"/>	
Ex proof	Yes	<input type="checkbox"/>	No	<input type="checkbox"/>	Class